



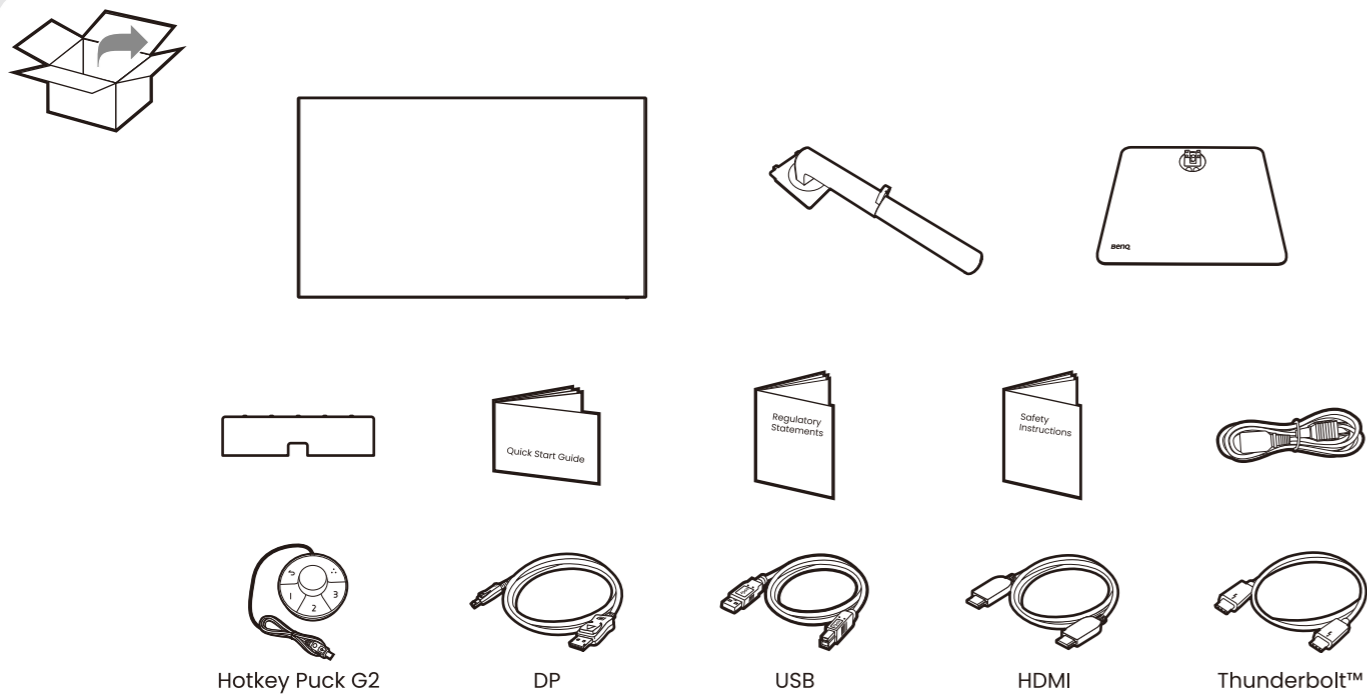
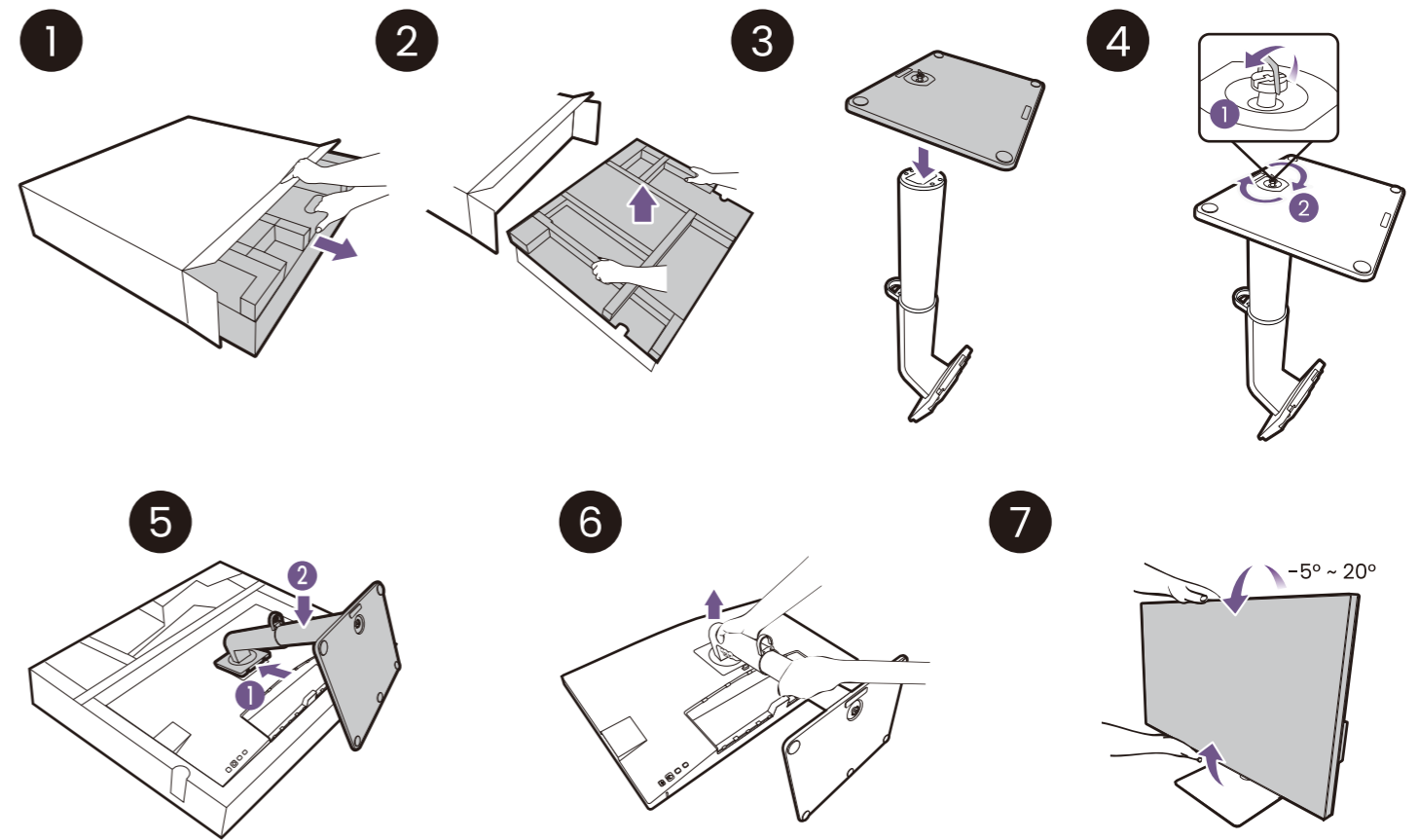
LCD Monitor Quick Start Guide

DesignVue Designer Monitor | PD Series

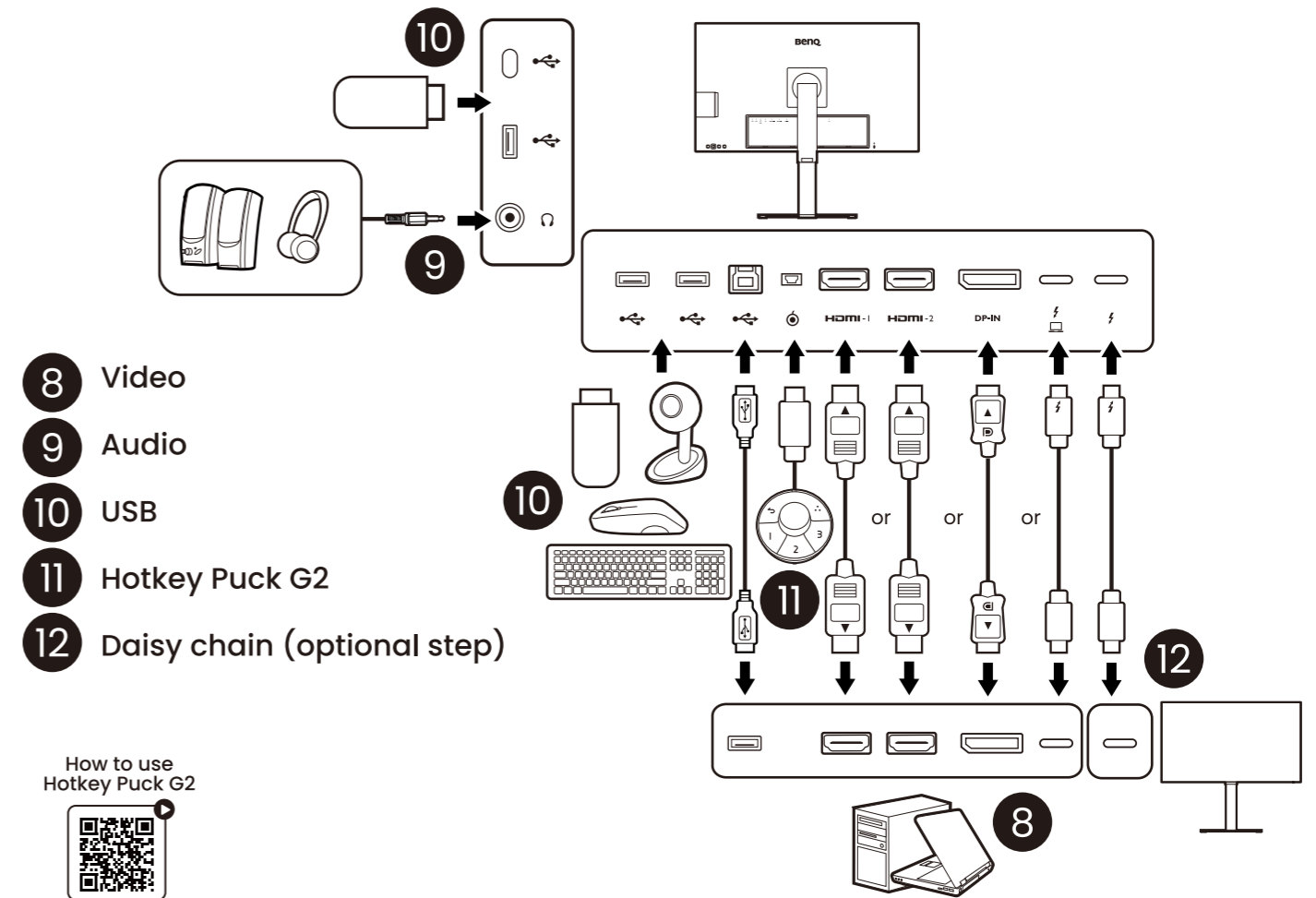


DN: PD32U-EQ-V0

© 2023 BenQ Corporation. All rights reserved. Rights of modification reserved.



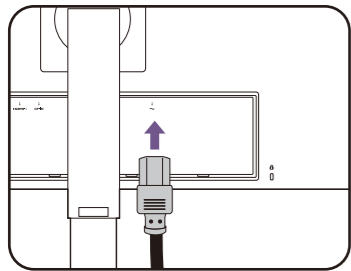
The terms HDMI, HDMI High-Definition Multimedia Interface, HDMI Trade Dress and the HDMI Logos are trademarks or registered trademarks of HDMI Licensing Administrator, Inc.



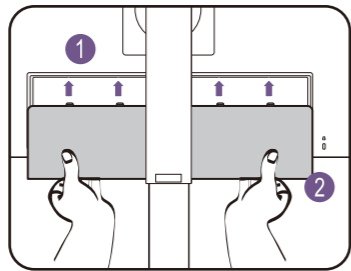
How to use Hotkey Puck G2



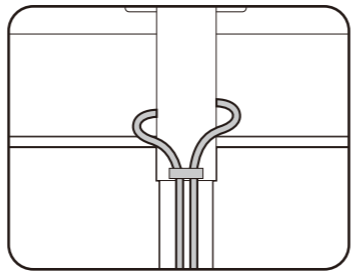
13



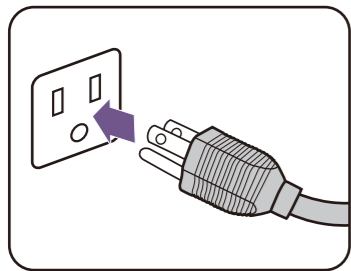
14



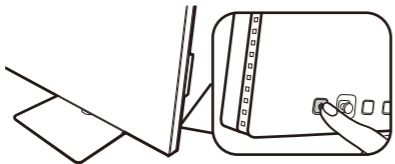
15



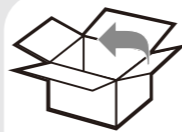
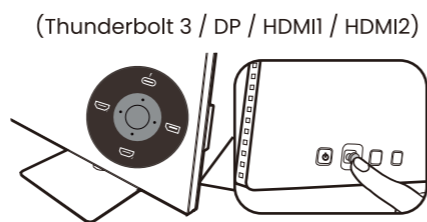
16



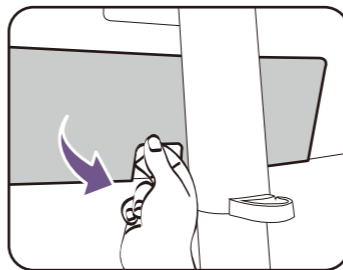
17



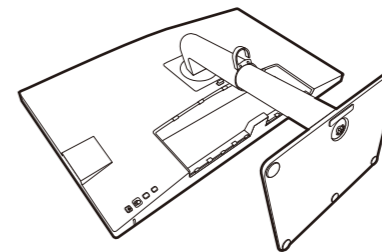
18



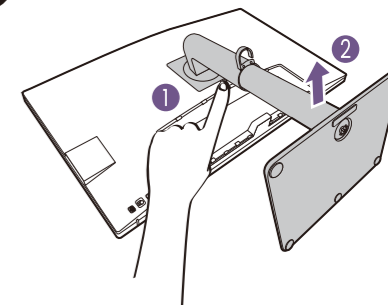
1



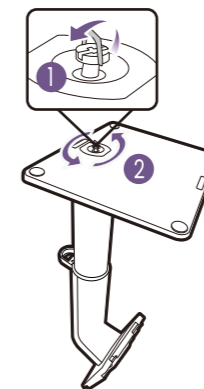
2



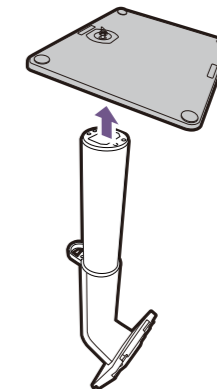
3



4



5



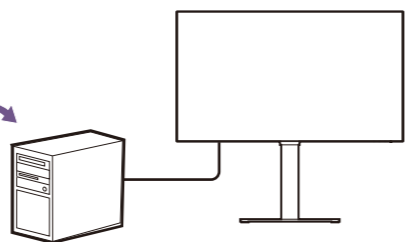
Software installation

Display Pilot 2: for display arrangement & color matching (ICC Sync)

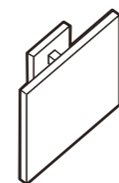
Support.BenQ.com



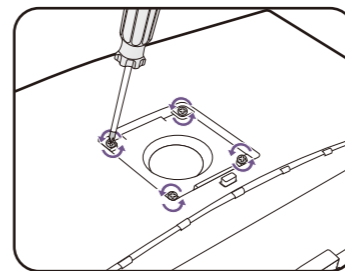
Display Pilot 2



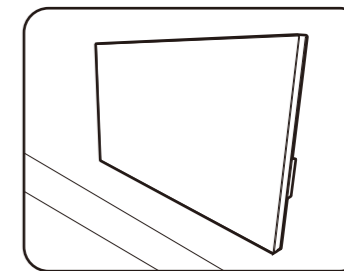
How to use ICC Sync



1

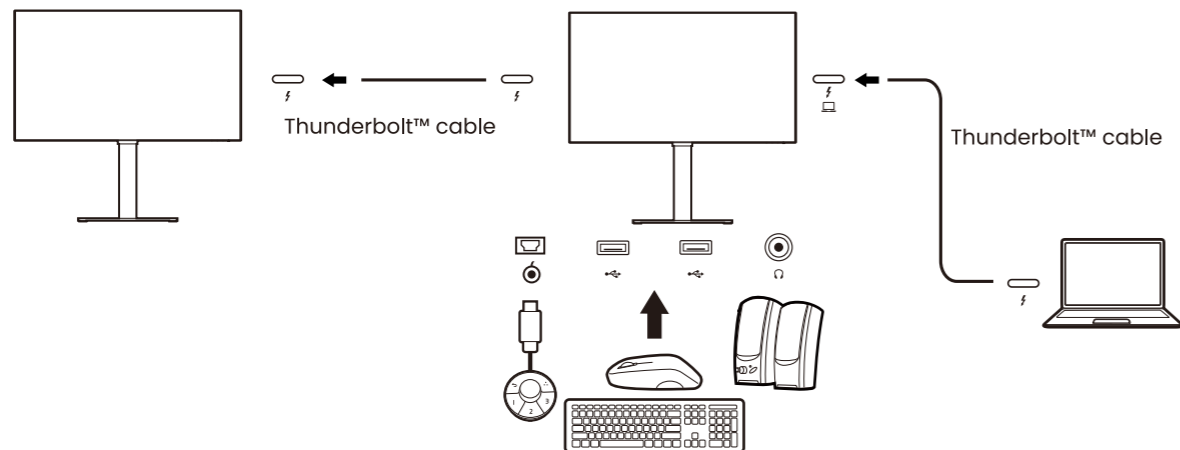


2



M4 x 10 mm

Connecting multiple monitors (Thunderbolt™ daisy chaining)



Support.BenQ.com



Warranty Information



Online Manual



Product Support



Software Download

For professional color display



CAD / CAM Mode



Animation Mode

For work efficiency



DualView



KVM Switch