

BenQ

LCD Monitor
User Manual

V2210 / V2210 Eco
V2410 / V2410 Eco

Welcome

Copyright

Copyright © 2010 by BenQ Corporation. All rights reserved. No part of this publication may be reproduced, transmitted, transcribed, stored in a retrieval system or translated into any language or computer language, in any form or by any means, electronic, mechanical, magnetic, optical, chemical, manual or otherwise, without the prior written permission of BenQ Corporation.

Disclaimer

BenQ Corporation makes no representations or warranties, either expressed or implied, with respect to the contents hereof and specifically disclaims any warranties, merchantability or fitness for any particular purpose. Further, BenQ Corporation reserves the right to revise this publication and to make changes from time to time in the contents hereof without obligation of BenQ Corporation to notify any person of such revision or changes.

Please follow these safety instructions for best performance, and long life for your monitor.

Power Safety

- The AC plug isolates this equipment from the AC supply.
- The power supply cord serves as a power disconnect device for pluggable equipment. The socket outlet should be installed near the equipment and be easily accessible.
- This product should be operated from the type of power indicated on the marked label. If you are not sure of the type of power available, consult your dealer or local power company.
- An approved power cord greater or equal to H03VV-F or H05VV-F, 2G or 3G, 0.75mm² must be used.

Care And Cleaning

- **Cleaning.** Always unplug your monitor from the wall outlet before cleaning. Clean the LCD monitor surface with a lint-free, non-abrasive cloth. Avoid using any liquid, aerosol or glass cleaners.
- Slots and openings on the back or top of the cabinet are for ventilation. They must not be blocked or covered. Your monitor should never be placed near or over a radiator or heat source, or in a built-in installation unless proper ventilation is provided.
- Never push objects or spill liquid of any kind into this product.

Servicing

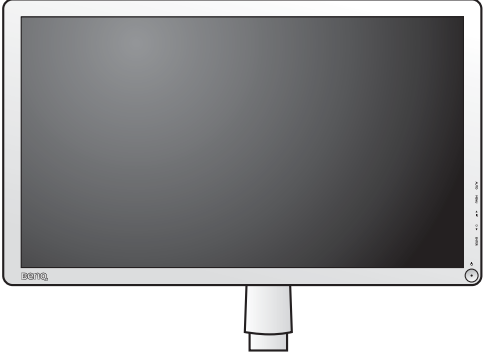
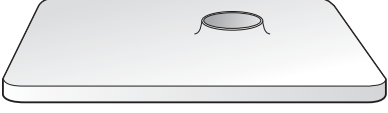


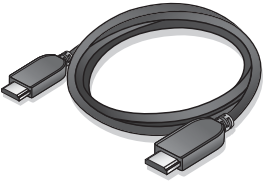
- Do not attempt to service this product yourself, as opening or removing covers may expose you to dangerous voltages or other risks. If any of the above mentioned misuse or other accident such as dropping or mishandling occurs, contact qualified service personnel for servicing.

Table of Contents

Copyright	2
Disclaimer	2
Getting started	4
Getting to know your monitor	5
Front view	5
Back view	5
How to assemble your monitor hardware	6
How to detach the stand base	10
Getting the most from your BenQ monitor	11
Downloading the LCD Monitor driver files from the Internet	11
How to install the monitor on a new computer	12
How to upgrade the monitor on an existing computer	13
How to install on Windows 7 system	14
How to install on Windows Vista systems	15
How to install on Windows XP system	16
Picture optimization	17
How to adjust your monitor	18
The control panel	18
Hot key mode	19
Main menu mode	20
Troubleshooting	32
Frequently asked questions (FAQ)	32
Need more help?	33
Adjusting the screen resolution	34
Adjusting the screen refresh rate	35
Preset display modes	36
Recycling information	37
Regulatory Statements	43

1. Getting started

When unpacking please check you have the following items. If any are missing or damaged, please contact the place of purchase for a replacement.

BenQ LCD Monitor	
Monitor Base	
Power Cord (Picture may differ from product supplied for your region.)	
Video Cable: D-Sub	
Video Cable: HDMI (Optional accessory for models with HDMI inputs, sold separately)	



Consider keeping the box and packaging in storage for use in the future when you may need to transport the monitor. The fitted foam packing is ideal for protecting the monitor during transport.

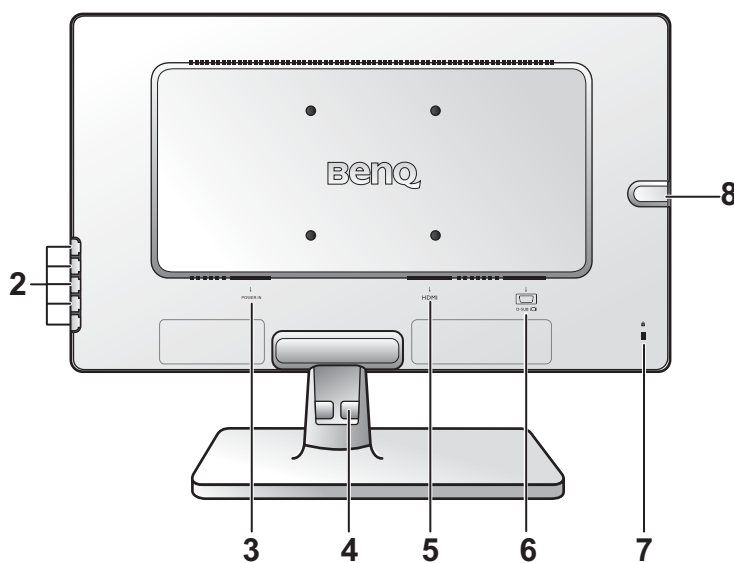
2. Getting to know your monitor

Front view



1. Power button

Back view



2. Control buttons
3. AC Power Input jack
4. Cable clip
5. HDMI socket
6. D-Sub socket
7. Lock switch
8. Headphone jack

☞ Above diagram may vary depending on the model.

3. How to assemble your monitor hardware

☞ If the computer is turned on you must turn it off before continuing.
Do not plug-in or turn-on the power to the monitor until instructed to do so.

1. Attach the monitor base.

V2210 / V2210 Eco

☞ Please be careful to prevent damage to the monitor. Placing the screen surface on an object like a stapler or a mouse will crack the glass or damage the LCD substrate voiding your warranty. Sliding or scraping the monitor around on your desk will scratch or damage the monitor surround and controls.

Protect the monitor and screen by clearing a flat open area on your desk and placing a soft item like the monitor packaging bag on the desk for padding.

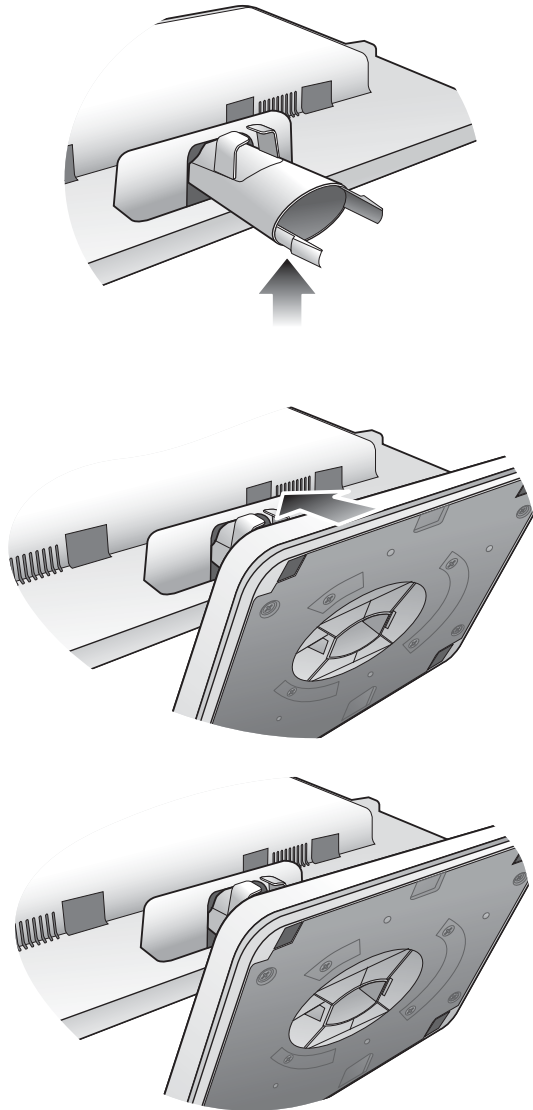
Gently lay the screen face down on a flat clean padded surface.

While holding the monitor firmly against the desk, pull the monitor stand arm upwards clear of the monitor.

(V2210 / V2210 Eco)

Orient and align the stand base socket with the end of the stand arm, then push them together until they click and lock into place.

Gently attempt to pull them back apart to check that they have properly engaged.

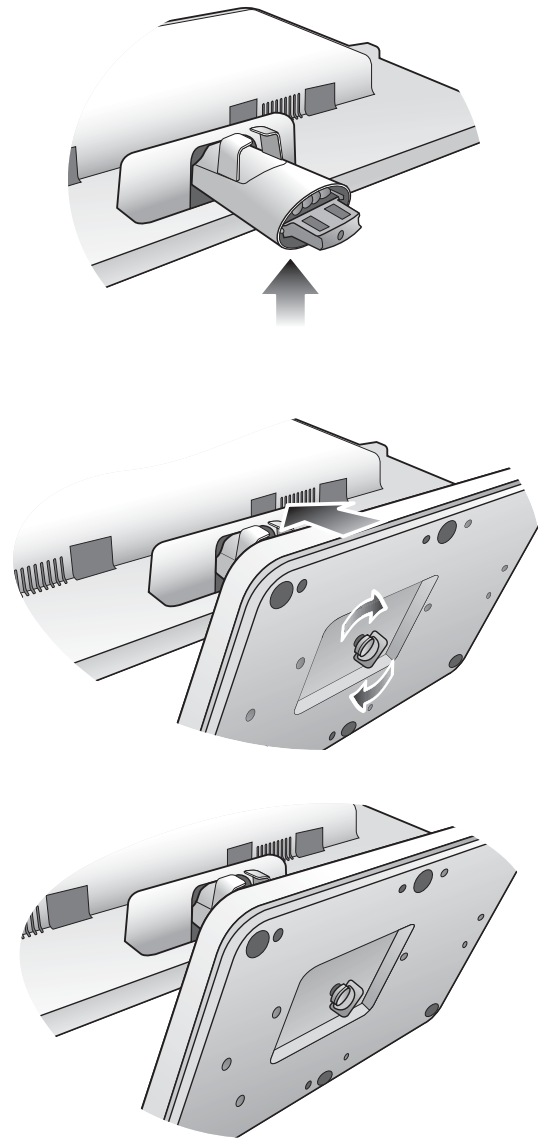


(For V2410 / V2410 Eco)


Orient and align the stand base socket with the end of the stand arm, then push them together. Tighten the thumbscrew on the bottom of the monitor base as illustrated.

Gently attempt to pull them back apart to check that they have properly engaged.

V2410 / V2410 Eco



Carefully lift the monitor, turn it over and place it upright on its stand on a flat even surface.

 You should position the monitor and angle the screen to minimize unwanted reflections from other light sources.

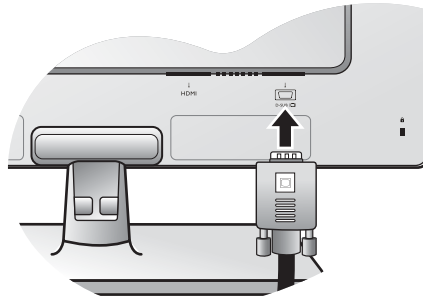


2. Connect the PC video cable

To Connect the D-Sub Cable

Connect the plug of the D-Sub cable (at the end without the ferrite filter) to the monitor video socket. Connect the other end of the cable (at the end with the ferrite filter) to the computer video socket.

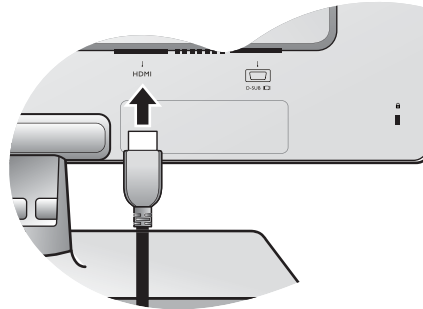
Tighten all finger screws to prevent the plugs from accidentally falling out during use.



To Connect the HDMI Cable

Connect the plug of the HDMI cable to one of the two HDMI ports on the monitor.

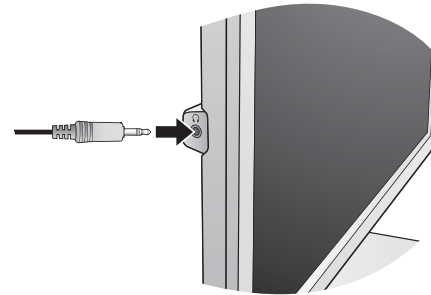
Connect the other end of the cable to the HDMI port of a digital output device.



☞ The video cable included in your package and the socket illustrations on the right may vary depending on the LCD model.

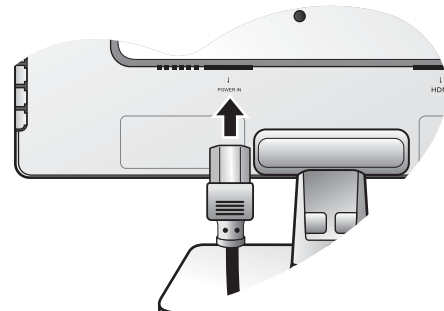
3. Connect the headphone.

You may connect headphones to the headphone jack found on the left side of the monitor. See picture on the right.

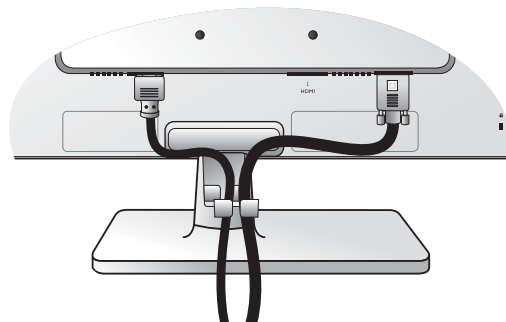


4. Connect the power cable to the monitor.

Plug one end of the power cord into the socket labelled 'POWER IN' on the rear of the monitor. Do not connect the other end to a power outlet just yet.




5. Route the cables via the cable clip.



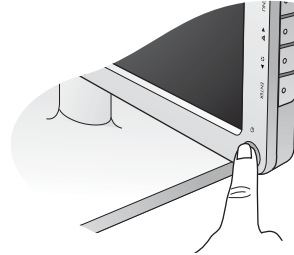
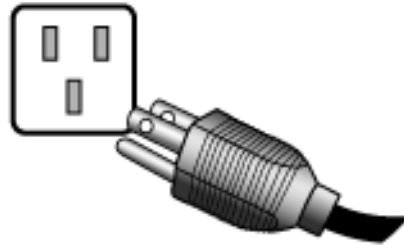
6. Connect-to and turn-on the power.

Plug the other end of the power cord into a power outlet and turn it on.

 Picture may differ from product supplied for your region.

Turn on the monitor by pressing the power button.

Turn on the computer too, and follow the instructions in Section 4: [Getting the most from your BenQ monitor on page 11](#) to install the monitor software.



How to detach the stand base

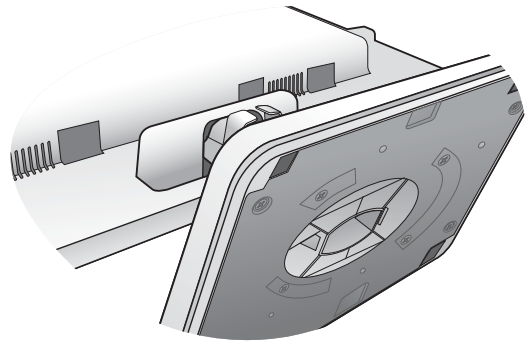
1. Prepare the monitor and area.

Turn off the monitor and the power before unplugging the power cable. Turn off the computer before unplugging the monitor signal cable.

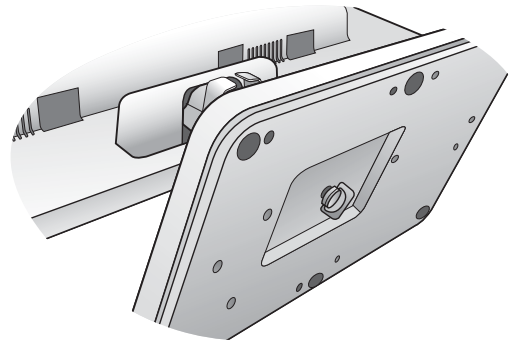
Protect the monitor and screen by clearing a flat open area on your desk and placing a soft item like a towel on the desk for padding, before laying the screen face down on a flat clean padded surface.

- ☞ Please be careful to prevent damage to the monitor. Placing the screen surface on an object like a stapler or a mouse will crack the glass or damage the LCD substrate voiding your warranty. Sliding or scraping the monitor around on your desk will scratch or damage the monitor surround and controls.

V2210 / V2210 Eco

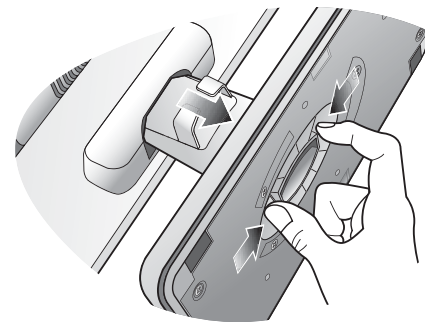


V2410 / V2410 Eco



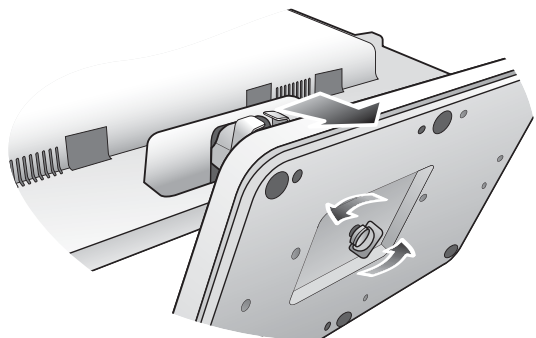
2. (For V2210 / V2210 Eco) Press the locking clips to detach the monitor base from the monitor stand arm.

V2210 / V2210 Eco



V2410 / V2410 Eco

(For V2410 / V2410 Eco) Release the thumbscrew on the bottom of the monitor base and detach the monitor base as illustrated.



4. Getting the most from your BenQ monitor


To gain the most benefit from your new BenQ color LCD flat screen monitor, you should install the custom BenQ LCD Monitor driver software as provided on the BenQ website (<http://www.benq.com/support>). See [Downloading the LCD Monitor driver files from the Internet on page 11](#) for details.

The circumstances under which you connect and install your BenQ LCD Monitor will determine which process you need to follow to successfully install the BenQ LCD Monitor driver software. These circumstances relate to which version of Microsoft Windows you are using, and whether you are connecting the monitor and installing the software onto a new computer (without existing monitor driver software), or whether you are upgrading an existing installation (which already has existing monitor driver software) with a newer monitor.

In either case however, the very next time you turn on your computer (after connecting the monitor to your computer), Windows will automatically recognize the new (or different) hardware, and will launch its **Found New Hardware** wizard.

Follow the wizard instructions. Further details and step-by-step instructions for either an automatic (new) or upgrade (existing) installation, see:

- [How to install the monitor on a new computer on page 12.](#)
- [How to upgrade the monitor on an existing computer on page 13.](#)

 If you require a User Name and Password to login to your Windows computer, you must be logged on as an Administrator or as a member of the Administrators group in order to install the monitor driver software. Furthermore, if your computer is connected to a network which has security access requirements, network policy settings may prevent you from installing software on your computer.


Downloading the LCD Monitor driver files from the Internet

1. Make sure your computer is connected to the Internet.
2. Visit BenQ website (<http://www.benq.com/support>).
3. Select the country/region you are located in to visit the specific support website.
4. Select LCD Monitor in **Downloads**.
5. Select your LCD Monitor model.
6. In the **Drivers** category, download the correct driver files to your computer.
7. On your computer, have your driver files extracted into an empty folder. Remember the file location the files are extracted to.

 The website layout and content may vary by region/country.

How to install the monitor on a new computer


This instruction details the procedure for selecting and installing the BenQ LCD Monitor driver software on a new computer which has never had a monitor driver installed before. This instruction is only suitable for a computer which has never been used before, and for which the BenQ LCD Monitor is the first ever monitor to be connected to it.

 If you are adding the BenQ LCD Monitor to an existing computer that has already had another monitor connected to it (and has monitor driver software installed), you should not be following these instructions. You should instead be following the instructions for How to upgrade the monitor on an existing computer.

1. Follow the instructions in [How to assemble your monitor hardware on page 6](#).
When Windows starts, it will automatically detect the new monitor and launch the **Found New Hardware Wizard**. Follow the prompts until it displays the option to install hardware device drivers.
2. Check **Search for the best driver in these locations** option, and check the option for the correct location of the driver files.
3. Locate the driver files and click **Next**.
4. Click **Finish**.
5. Restart the computer.

How to upgrade the monitor on an existing computer

This instruction details the procedure for manually updating the existing monitor driver software on your Microsoft Windows computer. It is currently tested as compatible for Windows XP, Windows Vista, and Windows 7 Operating System (OS).

 The BenQ LCD Monitor driver for your model may well function perfectly with other versions of Windows, however, as at the time of writing, BenQ has done no testing of this driver on other versions of Windows and cannot guarantee its operation on those systems.

Installing monitor driver software involves selecting an appropriate information file (.inf) from the downloaded driver files for the particular model monitor you have connected, and letting Windows install the corresponding driver files. You need only steer it in the right direction. Windows has an Upgrade Device Driver Wizard to automate the task and guide you through the file selection and installation process.

See:

- [How to install on Windows 7 system on page 14.](#)
- [How to install on Windows Vista systems on page 15.](#)
- [How to install on Windows XP system on page 16.](#)

How to install on Windows 7 system

1. Open **Display Properties**.

Go to **Start, Control Panel, Hardware and Sound, Devices and Printers** and right-click the name of your monitor from the menu.

Alternatively, right-click the desktop and select **Personalize, Display, Devices and Printers**, and right-click the name of your monitor from the menu.

2. Click the **Hardware** tab.
3. Click **Generic PnP Monitor**, and then the **Properties** button.
4. Click the **Driver** tab and the **Update Driver** button.
5. In the **Update Driver Software** window, select the option **Browse my computer for driver software**.
6. Click **Browse** and locate the driver files downloaded from the Internet as instructed in [Downloading the LCD Monitor driver files from the Internet on page 11](#).
7. Click **Next**.

This will install the appropriate monitor driver files to your computer.

8. Click **Close**.

You may be prompted to restart your computer after the driver update is complete.

How to install on Windows Vista systems

1. Open **Display Settings**.

Right-click the desktop and select **Personalize** from the popup menu.

Select **Display Settings** from the **Personalize appearance and sounds** window.

The **Display Settings** window will display.

2. Click the **Advanced Settings** button.

The **Generic PnP Monitor Properties** window will display.

3. Click the **Monitor** tab and the **Properties** button.

4. Click **Continue** in the prompted **User Account Control** window.

5. Click the **Driver** tab and the **Update Driver** button.

6. In the **Update Driver Software** window, select the option **Browse my computer for driver software**.

7. Click **Browse** and locate the driver files downloaded from the Internet as instructed in [Downloading the LCD Monitor driver files from the Internet on page 11](#).

8. Click **Next**.

This will install the appropriate monitor driver files to your computer.

9. Click **Close**.

You may be prompted to restart your computer after the driver update is complete.

How to install on Windows XP system

1. Open **Display Properties**.

The quickest shortcut to **Display Properties** is through the Windows desktop.

Right-click the desktop and select **Properties** from the popup menu.

Alternatively, the Windows menu to **Display Properties** is located in **Control Panel**.

In Windows XP version, **Control Panel** is located directly under the main **Start** menu item.

The menu options displayed will depend upon which type of view is selected for your system.

- Under the Classic view, click **Start | Control Panel | Display**.
- Under the Category view, click **Start | Control Panel | Appearance and Themes | Change the screen resolution**.

The **Display Properties** window will display.

2. Click the **Settings** tab and the **Advanced** button.

The **Advanced Display Properties** window will display.

3. Click the **Monitor** tab and select the **Plug and Play Monitor** from the list.

If there is only one monitor in the list, it will already be selected for you.

4. Click the **Properties** button.

The **Monitor Properties** window will display.

If the driver provider is listed as BenQ, and the model matches that of your new monitor, the proper drivers are already installed, and you need do nothing further. Cancel out of these property windows. However, if BenQ is not listed as the manufacturer, or the correct model is not currently shown, you will need to continue with these instructions.

5. Click the **Driver** tab and the **Update Driver** button.

The **Hardware Update Wizard** will display. Follow the wizard instructions noting the steps below:

6. Check the option **Install from a list or specific location** and click **Next**.

7. Check the option **Search for the best driver in these locations** and also check **Search removable media**, then click **Next**.

Please wait while the wizard searches for drives. When completes, the wizard should have found and selected the BenQ driver appropriate to your monitor model. This will install the appropriate monitor driver files to your computer.

8. Click **Finish**.


This will close the wizard and return you to the **Monitor Properties** window.


9. Click **Close**, **OK**, and **OK**.

This will close the **Display Properties** windows. You may be prompted to restart your computer after the driver update is complete.

5. Picture optimization

The easiest way to obtain an optimal display from an analog (D-Sub) input is to use the **AUTO** key function. Press the **AUTO** key to optimize the currently displayed image to the screen.

 When you connect a digital video output using a digital (HDMI) cable to your monitor, the AUTO key and the Auto Adjustment function will be disabled, because the monitor will automatically display the best image.

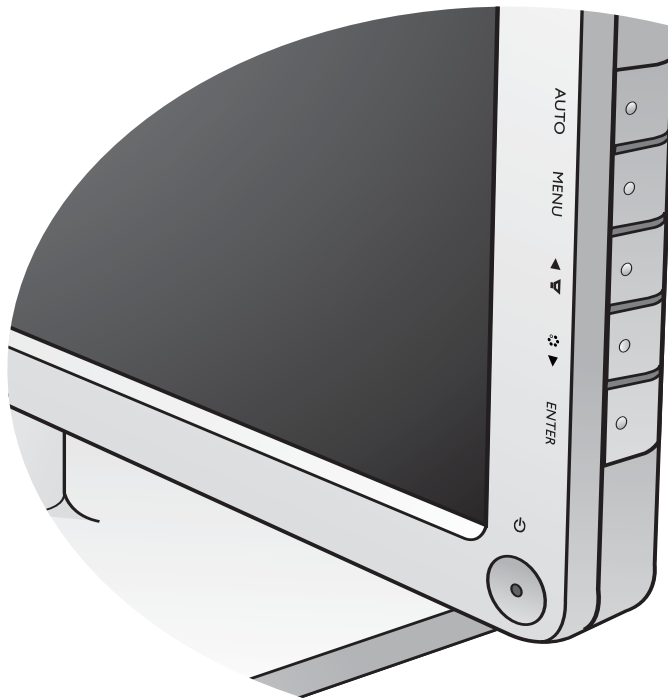
 Please ensure that the connected graphic card on your computer is set to the native resolution of the monitor when you use the AUTO key function.

If you wish, you can always adjust the screen geometric settings manually using geometry menu items. To assist you in this endeavour, BenQ has provided a screen test image utility which you can use to check for screen color, grayscale and line gradient display. The utility is available on the BenQ website. Follow Step 1 to Step 5 in [Downloading the LCD Monitor driver files from the Internet on page 11](#), and then download the test program auto.exe from **Drivers** to your computer.

1. Run the test program auto.exe. You could also use any other image, such as the desktop of your operating system. However, we recommend that you use auto.exe. As you run auto.exe, a test pattern displays.
2. Press the **AUTO** key on the monitor.
3. Press the **MENU** key to access the monitor On-Screen Display (OSD) menu.
4. Use the ▲ or ▼ keys to select **DISPLAY** and press the **ENTER** key to enter the menu.
5. If you notice a vertical noise (like a curtain effect-shimmering of vertical lines), press the ▲ or ▼ keys to select **Pixel Clock** and press the **ENTER** key. Then press the ▲ or ▼ keys to adjust the monitor until the noise disappears.
6. If you notice a horizontal noise, press the ▲ or ▼ keys to select **Phase** and press the **ENTER** key. Then press the ▲ or ▼ keys to adjust the monitor until the noise disappears.

6. How to adjust your monitor

The control panel



1. **AUTO:** Adjusts vertical position, phase, horizontal position and pixel clock automatically.
2. **MENU** key: Activates OSD main menu and return to the previous menu or exit OSD.
3. **▲/Volume** key: For Up/Increase adjustment. The key is the hot key for Volume.
4. **▼/Mode** key: For Down/Decrease adjustment. The key is the hot key for Mode.
5. **ENTER** key: Enters sub menus and select items. For models with HDMI inputs, this key is also the hot key for Input.
6. **Power:** Turns the power on or off.



OSD = On Screen Display.

The hot keys will display a graduated scale for adjusting the value of that setting, and will only operate while the OSD menu is not currently displaying. Hot key displays will disappear after a few seconds of no key activity. See [Hot key mode on page 19](#).

Hot key mode

The monitor keys perform as hot keys to provide direct access to particular functions whenever the menu isn't currently displaying on-screen.

Volume hot keys

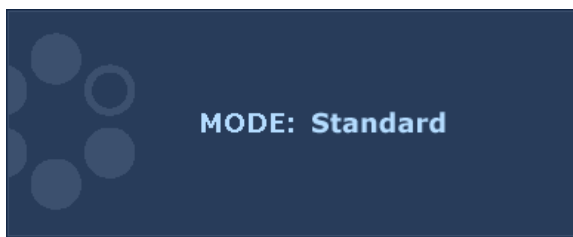


Press the ▲ key to display the **Volume** indicators. Further press the ▲ key will increase the volume, while the ▼ key will decrease the volume.



To Mute, press the Volume hot key for 3 seconds. To release Mute, press the Volume hot key for 3 more seconds.

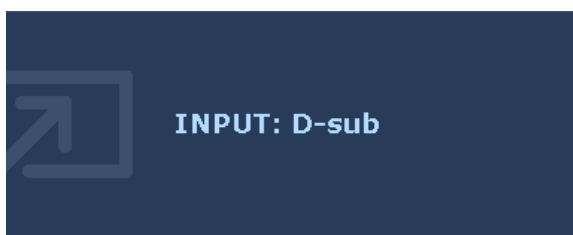
Mode hot key



Press the ▼ key continually to switch between the 6 modes for the main window, including **Standard**, **Movie**, **Game**, **Photo**, **sRGB**, and **Eco**. The setting will take effect immediately.

See also [Picture Mode on page 25](#).

Input hot key (not available for analog-only models)



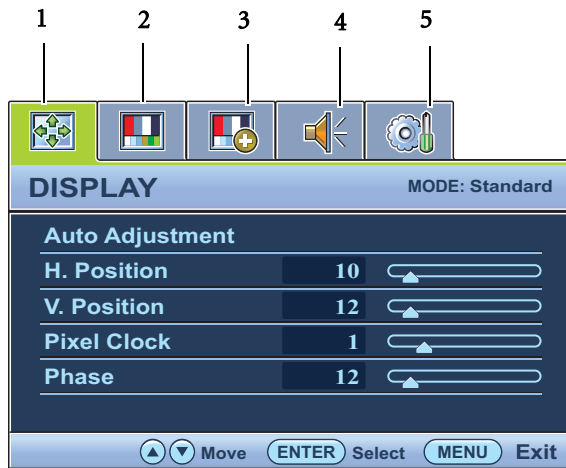
Press the **ENTER** key to toggle between different PC video signal inputs that may be connected to your monitor.

The setting will take effect immediately.
See also [Input on page 29](#).

Main menu mode

You can use the OSD (On Screen Display) menu to adjust all the settings on your monitor.

Press the **MENU** key to display the following main OSD menu.



There are five main OSD menus:

1. Display
2. Picture
3. Picture Advanced
4. Audio
5. System

Use the ▲ (up) or ▼ (down) keys to highlight a menu item, and press the **ENTER** key to enter the Menu item settings.



The OSD menu languages may differ from the product supplied to your region, see “[Language on page 29](#)” under “OSD Settings” for more details.

For more information on each menu, please refer to the following pages:

- [Display menu on page 21](#)
- [Picture menu on page 23](#)
- [Picture Advanced menu on page 25](#)
- [Audio menu on page 28](#)
- [System menu on page 29](#)

Display menu



1. Press the **MENU** key to display the main menu.
2. Press the ▲ or ▼ keys to select **DISPLAY** and then press the **ENTER** key to enter the menu.
3. Press the ▲ or ▼ keys to move the highlight to a menu item and then press the **ENTER** key to select that item.
4. Press the ▲ or ▼ keys to make adjustments or selections.
5. To return to the previous menu, press the **MENU** button.

Item	Function	Operation	Range
Auto Adjustment	<p>Optimizes and adjusts the screen settings automatically for you. The AUTO key is a 'hot key' for this function.</p> <p>☞ When you connect a digital video output using a digital (HDMI) cable to your monitor, the AUTO key and the Auto Adjustment function will be disabled.</p>	Press the ENTER key to select this option and make adjustment.	

H. Position	Adjusts the horizontal position of the screen image.	Press the ▲ or ▼ keys to adjust the value.	0 to 100
V. Position	Adjusts the vertical position of the screen image.		0 to 100
Pixel Clock	Adjusts the pixel clock frequency timing to synchronize with the analog input video signal. Not applicable to a digital input signal. See also: Picture optimization on page 17.		0 to 100
Phase	Adjusts the pixel clock phase timing to synchronize with the analog input video signal. Not applicable to a digital input signal. See also: Picture optimization on page 17.		0 to 63

Picture menu



1. Press the **MENU** key to display the main menu.
2. Press the **▲** or **▼** keys to select **PICTURE** and then press the **ENTER** key to enter the menu.
3. Press the **▲** or **▼** keys to move the highlight to a menu item and then press the **ENTER** key to select that item.
4. Press the **▲** or **▼** keys to make adjustments or selections.
5. To return to the previous menu, press the **MENU** button.

Item	Function	Operation	Range
Brightness	Adjusts the balance between light and dark shades.	Press the ▲ key to increase the brightness and press the ▼ key to decrease the brightness.	0 to 100
Contrast	Adjusts the degree of difference between darkness and lightness.	Press the ▲ key to increase the contrast and press the ▼ key to decrease the contrast.	0 to 100
Sharpness	Adjusts the clarity and visibility of the edges of the subjects in the image.	Press the ▲ key to improve the crispness of the display and press the ▼ key to have softness effect on the display.	1 to 5
The above options for Brightness, Contrast, and Sharpness are available only in the Standard mode.			
Gamma (available when the Picture Mode is set to Standard or Eco)	Adjusts the tone luminance. The default value is 2.2 (the standard value for Windows).	Press the ▲ key to increase the gamma value (tone becomes darker) and press the ▼ key to decrease the gamma value (tone becomes lighter).	1.8 ~ 2.6

Color - Press ENTER to enter the Color menu			
☞ This Color menu is available only in the Standard mode.			
Normal	Allows video and still photographs to be viewed with natural coloring. This is the factory default color.	Press the ▲ or ▼ keys to select this option.	
Bluish	Applies a cool tint to the image and is factory pre-set to the PC industry standard white color.		
Reddish	Applies a warm tint to the image and is factory pre-set to the news print standard white color.		
User Mode	Tailors the image color tint. The blend of the Red, Green and Blue primary colors can be altered to change the color tint of the image. Decreasing one or more of the colors will reduce their respective influence on the color tint of the image. (e.g. if you reduce the Blue level the image will gradually take on a yellowish tint. If you reduce Green, the image will become a magenta tint.)	Press the ▲ or ▼ keys and the ENTER key to select Red, Green, or Blue . Then use the ▲ or ▼ keys to make the color adjustments.	<ul style="list-style-type: none"> • Red (0 to 100) • Green (0 to 100) • Blue (0 to 100)
	Hue: Adjusts the degree of how we perceive colors.	Press the ▲ or ▼ keys to adjust the value.	0 to 100
	Saturation: Adjusts the purity degree of colors.	Press the ▲ or ▼ keys to adjust the value.	0 to 100
	☞ The above options for Hue and Saturation are available only if the signal source is Component Video or HDMI.		
Reset Color	Resets the User Mode custom color settings to the factory defaults.	Press the ▲ or ▼ keys to change the settings.	<ul style="list-style-type: none"> • YES • NO
Press MENU to leave the Color menu.			


Picture Advanced menu



1. Press the **MENU** key to display the main menu.
2. Press the ▲ or ▼ keys to select **PICTURE ADVANCED** and then press the **ENTER** key to enter the menu.
3. Press the ▲ or ▼ keys to move the highlight to a menu item and then press the **ENTER** key to select that item.
4. Press the ▲ or ▼ keys to make adjustments or selections.
5. To return to the previous menu, press the **MENU** button.

Item	Function	Operation	Range
Picture Mode	<p>Selects a picture mode that best suits the type of images shown on the screen.</p> <ul style="list-style-type: none"> • Standard - for basic PC application. • Movie - for viewing videos. • Game - for playing video games. • Photo - for viewing still images. • sRGB - for better color matching representation with the peripheral devices, such as printers, DSCs, etc. • Eco - for saving electricity with low power consumption by providing minimum brightness for all running programs. 	Press the ▲ or ▼ keys to change the settings.	<ul style="list-style-type: none"> • Standard • Movie • Game • Photo • sRGB • Eco

Senseye Demo	Displays the preview of screen images under the selected mode from Picture Mode. The screen will be divided into two windows; the left window demonstrates images of Standard mode, while the right window presents the images under the specified mode.	Press the ▲ or ▼ keys to change the settings.	<ul style="list-style-type: none"> • ON • OFF
Dynamic Contrast (available when the Picture Mode is set to Movie, Game, or Photo)	The function is to automatically detect the distribution of an input visual signal, and then to create the optimal contrast.	Press the ENTER key to select this option. Press the ▲ or ▼ keys to change the settings.	0 to 5
Display Mode	<p>This feature is provided to allow aspect ratio's other than 16:9 to be displayed without geometric distortion.</p> <ul style="list-style-type: none"> • Overscan -Slightly enlarges the input image. Use this feature to hide annoying edge noise if present around your image. • Full - Scales the input image to fill the screen. Ideal for 16:9 aspect images. • Aspect - The input image is displayed without geometric distortion filling as much of the display as possible. 16:9 images will fill the screen horizontally while 4:3 images will fill the screen vertically. 	<p>Press the ▲ or ▼ keys to change the settings.</p> <p>☞ The options under Display Mode will be different depending on the input signal sources.</p>	<p>When the signal source is from a D-sub source, and the input image is of non-wide aspect ratio:</p> <ul style="list-style-type: none"> • Full • Aspect <p>Or</p> <p>When the signal source is from a HDMI or D-Sub (VGA converted from Component) source:</p> <ul style="list-style-type: none"> • Overscan • Full • Aspect

Color Format	<p>Determines the color space (RGB or YUV) based on the following detected video signal:</p> <ul style="list-style-type: none"> • D-Sub (VGA) from PC: The default Color Format is RGB. • D-Sub (VGA converted from Component) from a video device: The default Color Format is YUV. <p> You might need to manually set the Color Format if colors shown on the monitor screen do not display properly.</p> <ul style="list-style-type: none"> • HDMI: Color Format is not selectable. In other words, Color Format is automatically set depending on the input video source. 	<p>Press the ENTER key to select this option. Press the ▲ or ▼ keys to change the settings.</p>	<ul style="list-style-type: none"> • RGB • YUV
HDMI RGB PC Range (available only when HDMI input is in use)	<p>Determines the range of color scales. Select an option that matches the RGB range setting on the connected HDMI device.</p>	<p>Press the ENTER key to select this option. Press the ▲ or ▼ keys to change the settings.</p>	<ul style="list-style-type: none"> • RGB (0 ~ 255) • RGB (16 ~ 235)

Audio menu



1. Press the **MENU** key to display the main menu.
2. Press the ▲ or ▼ keys to select AUDIO and then press the **ENTER** key to enter the menu.
3. Press the ▲ or ▼ keys to move the highlight to a menu item and then press the **ENTER** key to select that item.
4. Press the ▲ or ▼ keys to make adjustments or selections.
5. To return to the previous menu, press the **MENU** button.


Item	Function	Operation	Range
Volume	Adjusts the audio volume	Press the ▲ key to increase the volume and press the ▼ key to decrease the volume.	0 ~ 100
Mute	Mutes the audio input	Press the ▲ or ▼ keys to change the settings.	<ul style="list-style-type: none"> • ON • OFF
Audio Select	Allow users to select the audio source or let the monitor detect it automatically	Press the ▲ or ▼ keys to change the settings.	<ul style="list-style-type: none"> • PC Audio • HDMI Audio • Auto Detect

System menu



1. Press the **MENU** key to display the main menu.
2. Press the ▲ or ▼ keys to select **SYSTEM** and then press the **ENTER** key to enter the menu.
3. Press the ▲ or ▼ keys to move the highlight to a menu item and then press the **ENTER** key to select that item.
4. Press the ▲ or ▼ keys to make adjustments or selections.
5. To return to the previous menu, press the **MENU** button.

Item	Function	Operation	Range
Input	Use this to change the input to that appropriate to your video cable connection type.	Press the ▲ or ▼ keys to change the settings.	<ul style="list-style-type: none"> • D-sub (VGA) • HDMI
OSD Settings - Press ENTER to enter the OSD Settings menu.			
Language	Sets the OSD menu language.	Press the ▲ or ▼ keys to change the settings. ☞ The language options displayed on your OSD may differ from those shown on the right, depending on the product supplied in your region.	<ul style="list-style-type: none"> • English • French • German • Italian • Spanish • Polish • Japanese • Czech • Traditional Chinese • Hungarian • Simplified Chinese • Serbo-Croatian • Romanian • Dutch • Russian • Swedish • Portuguese

H. Position	Adjusts the horizontal position of the OSD menu.	Press the ▲ or ▼ keys to change the settings.	0 to 100
V. Position	Adjusts the vertical position of the OSD menu.		0 to 100
Display Time	Adjusts the display time of the OSD menu.		<ul style="list-style-type: none"> • 5 Sec. • 10 Sec. • 15 Sec. • 20 Sec. • 25 Sec. • 30 Sec.
OSD Lock	Prevents all the monitor settings from being accidentally changed. When this function is activated, the OSD controls and hotkey operations will be disabled.	<p>Press the ▲ or ▼ keys to change the settings.</p> <p> To unlock the OSD controls when the OSD is preset to be locked, press and hold the "MENU" key for 15 seconds to enter the "OSD Lock" option and make changes. Alternatively, you may use the ▲ or ▼ keys to select "NO" in the "OSD Lock" submenu from the "OSD Settings" menu, and all OSD controls will be accessible.</p>	<ul style="list-style-type: none"> • YES • NO
Press MENU to leave the OSD Settings menu.			
DDC/CI*	Allows the monitor settings to be set through the software on the PC.	Press the ENTER key to select this option. Press the ▲ or ▼ keys to change the settings.	<ul style="list-style-type: none"> • ON • OFF
Auto Power off	Sets the time to power off the monitor automatically in power saving mode.	Press the ENTER key to select this option. Press the ▲ or ▼ keys to change the settings.	<ul style="list-style-type: none"> • OFF • 10min. • 20min. • 30min.
Information	Displays the current monitor property settings.		<ul style="list-style-type: none"> • Input • Current Resolution • Optimum Resolution (best with the monitor) • Model Name

HDMI Auto Switch	When this function is activated, HDMI port will be in the input auto select loop. Otherwise, HDMI can only be selected by input select or by hot key.	Press the ENTER key to select this option. Press the ▲ or ▼ keys to change the settings.	<ul style="list-style-type: none"> • ON • OFF
Reset All	Resets all mode, color and geometry settings to the factory default values.	Press the ▲ or ▼ keys to change the settings.	<ul style="list-style-type: none"> • YES • NO



*DDC/CI, short for Display Data Channel/Command Interface, which was developed by Video Electronics Standards Association (VESA). DDC/CI capability allows monitor controls to be sent via the software for remote diagnostics.

7. Troubleshooting

Frequently asked questions (FAQ)

② The image is blurred:

☞ Read the instructions in [Adjusting the screen resolution on page 34](#), and then select the correct resolution, refresh rate and make adjustments based on these instructions.

② How do you use a VGA extension cable?

☞ Remove the extension cable for the test. Is the image now in focus? If not, optimize the image by working through the instructions in [Adjusting the screen refresh rate on page 35](#). It is normal for blurring to occur due to conduction losses in extension cables. You can minimize these losses by using an extension cable with better conduction quality or with a built-in booster.

② Does the blurring only occur at resolutions lower than the native (maximum) resolution?

☞ Read the instructions in [Adjusting the screen resolution on page 34](#). Select the native resolution.

② Pixel errors can be seen:

☞ One of several pixels is permanently black, one or more pixels are permanently white, one or more pixels are permanently red, green, blue or another color.

- Clean the LCD screen.
- Cycle power on-off.
- These are pixels that are permanently on or off and is a natural defect that occurs in LCD technology.

② The image has a faulty coloration:

☞ It has a yellow, blue or pink appearance.

Select **MENU > PICTURE > Color > Reset Color**, and then choose “YES” in the “Caution” message box to reset the color settings to the factory defaults.

If the image is still not correct and the OSD also has faulty coloration, this means one of the three primary colors is missing in the signal input. Now check the signal cable connectors. If any pin is bent or broken off, please contact your dealer to get necessary support.

② No image can be seen:

☞ Is the prompt on the display illuminated in green?

If the LED is illuminated in green and there is a message “Out of Range” on the screen, this means you are using a display mode that this monitor does not support, please change the setting to one of the supported mode. Please read [Preset display modes on page 36](#).

② Faint shadow from the static image displayed is visible on the screen:

- ☞
- Activate the power management function to let your computer and monitor go into a low power "sleep" mode when not actively in use.
 - Use a screensaver to prevent the occurrence of image retention.

② **Is the prompt on the display illuminated in orange?**

☞ If the LED is illuminated in orange, the power management mode is active. Press any button on the computer keyboard or move the mouse. If that does not help, check the signal cable connectors. If any pin is bent or broken off, please contact your dealer to get necessary support.

② **Is the prompt on the display not illuminated at all?**

☞ Check the power supply mains socket, the external power supply and the mains switch.

② **The image is distorted, flashes or flickers:**

☞ Read the instructions in [Adjusting the screen resolution on page 34](#), and then select the correct resolution, refresh rate and make adjustments based on these instructions.

② **You are running the monitor at its native resolution, but the image is still distorted.**

☞ Images from different input sources may appear distorted or stretched on the monitor running at its native resolution. To have the optimal display performance of each type of input sources, you can use the "Display Mode" function to set a proper aspect ratio for the input sources. See [Display Mode on page 26](#) for details.

② **The image is displaced in one direction:**

☞ Read the instructions [Adjusting the screen resolution on page 34](#), and then select the correct resolution, refresh rate and make adjustments based on these instructions.

② **The OSD controls are inaccessible:**

- ☞
- To unlock the OSD controls when the OSD is preset to be locked, press and hold the "MENU" key for 15 seconds to enter the "OSD Lock" option and make changes.
 - Alternatively, you may use the ▲ or ▼ keys to select "NO" in the "OSD Lock" submenu from the "OSD Settings" menu (under SYSTEM), and all OSD controls will be accessible.

② **No sound can be heard from the connected external speakers:**

- If the external speakers are USB-powered, check whether the USB connection is OK.
- Increase the volume (volume may be muted or too low) on the external speakers.

② **Sound cannot be muted:**

- Restart your computer.
- Update the graphics and/or audio driver.


Need more help?

If your problems remain after checking this manual, please contact your place of purchase or e-mail us at: Support@BenQ.com.


Adjusting the screen resolution

Due to the nature of liquid crystal display (LCD) technology, the picture resolution is always fixed. For the best display performance, please set the display to its maximum resolution with an aspect ratio of 16:9. This is called “Native Resolution” or maximal resolution – that is, the clearest picture. Please refer to the table below for the native resolution of your LCD. Lower resolutions are displayed on a full screen through an interpolation circuit. Image blurring across pixel boundaries can occur with the interpolated resolution depending upon the image type and its initial resolution.

Model	Native Resolution
V2210 / V2210 Eco	1920 x 1080
V2410 / V2410 Eco	1920 x 1080

 To take full advantage of LCD technology you should select the native resolution setting of your PC screen as described below. Be aware that not all PC video cards provide this resolution value. If yours doesn't, check with the video card manufacturer's website for an updated driver for your particular model PC video card which supports this resolution. Software video drivers are often updated and available for new hardware video resolutions. If necessary, you may need to replace and update the PC video card hardware to be able to support the native resolution of the monitor.

1. Open **Display Properties** and select the **Settings** tab.
You can open **Display Properties** by right-clicking on the Windows desktop and selecting **Properties** from the pop-up menu.
2. Use the slider in the ‘Screen area’ section to adjust the screen resolution.
Select the recommended resolution (maximum resolution) then click **Apply**.

 If you select some other resolution, be aware that this other resolution is interpolated and may not accurately display the screen image as well as it could do at the native resolution setting.

3. Click **OK** then **Yes**.
4. Close the **Display Properties** window.

If your input source does not provide an image with a 16:9 aspect ratio, the displayed image may appear stretched or distorted. To maintain the original aspect ratio, image scaling options can be found in the “Display Mode” adjustment. See [Display Mode on page 26](#) for more information.

Adjusting the screen refresh rate

You don't have to choose the highest possible refresh rate on an LCD display, because it is not technically possible for an LCD display to flicker. The best results are obtained by using the factory modes already set in your computer. Check next chapter to see the factory modes: [Preset display modes on page 36](#).



You can choose 59.934 Hertz for the native resolution of 1920 x 1080. Not applicable in all models. Please refer to the table on [page 34](#).

1. Double click the **Display** icon in **Control Panel**.
2. From the **Display Properties** window, select the **Settings** tab and click the **Advanced** button.
3. Select the **Adapter** tab, and select an appropriate refresh rate to match one of the applicable factory modes as listed in the specification table.
4. Click **Change, OK**, then **Yes**.
5. Close the **Display Properties** window.

Preset display modes

Incoming display mode (Input timing)		
Resolution	21.5W 1920X1080	24W 1920X1080
640x480@60Hz	v	v
640x480@75Hz	v	v
720x400@70Hz	v	v
800x600@60Hz	v	v
800x600@75Hz	v	v
832x624@75Hz	v	v
1024x768@60Hz	v	v
1024x768@75Hz	v	v
1152x870@75Hz	v	v
1280x720@60Hz	v	v
1280X960@60Hz	v	v
1280x1024@75Hz	v	v
1360x768@60Hz	v	v
1600x900@60Hz	v	v
1680x1050@60Hz	v	v
1920x1080@60Hz	v	v

- Image disruption may occur as a result of signal frequency differences from graphic cards which do not correspond with the usual standard. This is not, however, an error. You may improve this situation by altering an automatic setting or by manually changing the phase setting and the pixel frequency from the “DISPLAY” menu.
- To extend the service life of the product, we recommend that you use your computer's power management function.

Recycling information

Recognizing the importance of environmental protection and assigning itself the responsibility of protecting the global environment, BenQ has endeavored, and will steadily continue to endeavor, to construct recycling systems around the world so as to collect and recycle the used monitors from our customers. Therefore, we would sincerely appreciate your support in properly recycling or disposing of your monitor at the end of its life cycle.

This recycling information guide provides you the information on our service centers. Please see the following list to contact the center in your area, and our service centers will assist you in managing your used monitors.

To gain the up-to-date recycling information, please visit the following website:

<http://www.benq.com/page/?pageId=267>.

Area	Country	Details on the Service Center
Asia Pacific	Taiwan	BenQ Asia Pacific Corp. Customer Care Department Tel.: +886-0800-027-427 16 Jihu Road, Neihu, Taipei 114, Taiwan (R.O.C.)
America	United States	BenQ America Corp. 15375 Barranca Parkway, Suite A-205 Irvine, CA 92618 Customer Service Toll-free number: 1-866-600-2367 (USA) www.benq.us/support/
Europe	Austria	UFH Umweltforum Haushalt Tel.: +43 1 588 39-0 www.ufh.at
	Belgium	RECUPEL ICT Tel.: +32 2 706 86 16 E-mail: info@recupel.be www.recupel.be

Area	Country	Details on the Service Center
	Czech	RREMA IOOO IK, a.s. Bavorská 856 155 41 Praha 5 Česká republika Tel.: +420 224 454 224 Fax: +420 224 454 422 E-mail: info@remasystem.cz www.remasystem.cz
	Denmark	Elretur A/S Tel.: +45 33 36 91 98 E-mail: elretur@elretur.dk
	Norway	Elretur AS Tel.: +47 23 06 07 40 E-mail: adm@elretur.no
	Estonia	EES - Ringlus Endla 3, 10122 Tallinn, Tel.: +372 6 484 335 Fax: +372 6 307 300 E-mail: info@eesringlus.ee www.eesringlus.ee
	Finland	Elker OY Tel.: +358 (0)10 249 17 00 E-mail: info@elker.fi www.elker.fi
	Germany	EAR Tel.: +49 0911766650 E-mail: info@stiftung-ear.de
	Greece	ANAKIKLOSI SISKEVON S.A. Tel: +30 210 5319762 - 5 Fax: +30 210 5319766 E-mail: electrocycle@otenet.gr www.electrocycle.gr

Area	Country	Details on the Service Center
	Hungary	<p>ELECTRO-COORD Magyarország Kht. Márvány utca 18, H-1012 Budapest</p> <p>Tel.: (+36-1) 224-7730, Fax: (+36-1) 224-7739 E-mail: info@electro-coord.hu</p> <p>www.electro-coord.hu</p>
	Ireland	<p>Midia Ltd</p> <p>Tel.: +353-1-4199733 Fax: +353-1-4565120 Unit B Montone Business Park Oak Road Dublin 12</p>
	Luxembourg	<p>Ecotrel 7, rue Alcide de Gasperi L-1615 Luxembourg (Kirchberg)</p> <p>Tel.: +352 26098731 Fax: +352 26098736</p> <p>www.ecotrel.lu</p>
	Netherland	<p>ICT Milieu Tel.: +31-0348493640 E-mail: info@ictmilieu.nl</p>
	Portugal	<p>Associação Portuguesa de Gestao de residuos de Equipamentos Electricos o Electronicos</p> <p>Av. Do Forte, nº3 Edificio Suecia I, piso 3 2794-038 Carnaxide, Portugal</p> <p>Tel.: +(351) 214169020</p> <p>www.amb3e.pt</p> <p>ERP - Associação Gestora de Residuos de Equipamentos Electricos o Electronicos</p> <p>Beloura Office Park, Edifício 6, Sala 6 Quinta da Beloura 2710-693 SINTRA, Portugal</p> <p>Tel.: +(351) 210029211 E-mail: info@erp-portugal.pt</p> <p>www.erp-portugal.pt</p>

Area	Country	Details on the Service Center
	Slovakia	SEWA, a.s. Račianska č. 71 831 02 Bratislava Tel.: + 421 (0)2 4910 6811 Fax: + 421 (0)2 4910 6819 E-mail: sewa@sewa.sk
	Spain	ECOASIMELEC C/ Orense, 62, 28020 Madrid Tel.: + 34914170890 Fax: +34915550362
	Sweden	EI-kretsen AB Tel.: +46 (0)8-545 212 90 E-mail: info@ei-kretsen.se
	France	EcoLogic SAS Immeuble ARAGO I 41, Boulevard Vauban 78280 Guyancourt Tel.: 0 825 825 732 E-mail: contact@ecologic-france.com www.ecologic-france.com
	UK	WeeeCare Plc Richmind House Garforth Leeds LS25 1NB Tel.: 01133 854 333 Fax: 01133 854 322 E-mail: admin@weeecare.com www.weeecare.com
	Italy	ecoR'it V.le Fulvio Testi, 128 20092 Cinisello Balsamo (MI) Tel.: +39 02 26255.396 Fax: +39 02 26255.397 E-mail: info@ecorit.it www.ecorit.it

Area	Country	Details on the Service Center
	Bulgaria	<p>Most Computers Blv. 240 Shipchenski Prohod 1111 Sofia Bulgaria</p> <p>Tel.: +359 2 91 823</p> <p>www.mostcomputers.com www.most.bg</p>
	Latvia	<p>SIA "EMP" Latvia, Riga, Kr.Barona 133, LV-1012</p> <p>Mob.: (+371) 9468536 Tel.: (+371) 7291206 Fax: (+371) 7291206</p> <p>www.emp.lt</p>
	Lithuania	<p>Novitera Tel: +370-698-49553 Contatact person: Jonas Grinskis E-mail: novitera@kaunas.omnitel.lt sales@novitera.lt Language: Lithuanian, English</p> <p>www.novitera.lt</p> <p>EMP Galinės km., Avižienių sen., Vilniaus raj. LT-14025 El.paštas: EMP@EMP.LT</p> <p>Contact person: Jurga Dabulevičiūtė, Tel.: +370-5-243-7153, +370-652-65651 E-mail: Jurga@emp.lt</p> <p>www.emp.lt</p> <p>UAB EMP Recycling Galines kaimas, Maisiagalos pastas, Vilniaus raj., LT-14247, Lietuva</p> <p>Tel.:(+370) 5 2437153 Fax: (+370) 5 2469530 E-mail: emp@emp.lt Language: Lithuanian, Russian, English</p>

Area	Country	Details on the Service Center
	Poland	<p>CCR Polska sp. z o.o. ul. Solec 38 PL 00-394 Warszawa</p> <p>Tel.: +48 22 2138 200 Fax: +48 22 2138 201</p> <p>www.erp-recycling.org</p> <hr/> <p>EMP Electronik Recycling Poland Polska. Gdansk. Wrzeszcz ul. Czarna 1</p> <p>Tel.: +48 58 345 42 18 Fax: +48 58 345 42 18</p> <p>www.recycling-system.pl/gb/index.php</p>
	Romania	<p>Darer Electronics</p> <p>Tel.: +40-259-342431 Contact person: Darius Tet E-mail: info@darer.ro</p> <p>www.darer.ro</p>
	Slovenia	<p>Surovina d.d. Ul. Vila Kraigherja 5, 2001 Maribor, Slovenia</p> <p>Tel.: +386 2 250 70 10 E-mail: surovina@surovina.si</p> <p>www.surovina.si</p>

Regulatory Statements

Accessibility Requirements for Rehabilitation Act of 1973, Section 508

BenQ's commitment to accessible products allows us to support government in making accessible technology choices. BenQ's LCD monitors and projectors are compliant with Section 508 guidelines by including the assistive features as below:

- BenQ's monitors have colored "Power" indicators. While the indicator shows green, it means that the monitor is using the full power. While the indicator shows yellow or amber, it means that the monitor is in suspend or sleep mode and is using less than 2 watts of electricity.
- BenQ's monitors have a variety of settings of pre-programmed flicker-free timing to make the screen shown on the monitor readily accessible. The default timing setting is automatically turned on every time the monitor is powered up, and thus reduces the hassle of user intervention.
- BenQ's monitors and projectors have options for brightness and contrast adjustments that text and images could be displayed differently to meet the demands of the visually impaired. Other similar adjustments are also available by using the On-Screen Display (OSD) controls on the products.
- BenQ's monitors and projectors include user-selectable color controls, such as color temperature selections (Monitor: 5800K, 6500K and 9300K, Projector: 5500K, 6500K, 7500K and 9300K), with a wide range of contrast levels.
- BenQ's multimedia monitors and projectors usually have one or two speakers for audio performance which allow users (including hearing impaired) to interact with the computer systems connected. Speaker controls are typically located on the front-panel.
- Firmware of BenQ's monitors and projectors contain unique product information that helps computer systems to identify BenQ products and activate their Plug-and-Play function when connected.
- All BenQ's monitors and projectors are compatible with the PC99 standard. For example, connectors are color-coded to help users easily connecting products to computer systems correctly.
- Some models of BenQ's monitors and projectors contain additional USB and DVI ports for connection to more devices such as a special headphone to assist the hearing impaired.
- All BenQ monitors and projectors come with user manuals on compact discs which could be easily read by commercial software such as Adobe Reader via a connected computer system. These documents are also available on the BenQ's web site (www.BenQ.com). Other types of documents may be available upon requests.
- BenQ's customer service provides answers and assistance to all our customers through phone calls, facsimiles, e-mails, or web sites.

FCC Statements

Federal Communications Commission (FCC) Notice (U.S. Only) **WARNING:** This equipment has been tested and found to comply with the limits for a Class B digital device, pursuant to Part 15 of the FCC Rules. These limits are designed to provide reasonable protection against harmful interference in a residential installation. This equipment generates, uses, and can radiate radio frequency energy and, if not installed and used in accordance with the instructions, may cause harmful interference to radio communications. However, there is no guarantee that interference will not occur in a particular installation. If this equipment does cause harmful interference to radio or television reception, which can be determined by turning the equipment off and on, the user is encouraged to try to correct the interference by one or more of the following measures:


- Reorient or relocate receiving antenna.
- Increase the separation between the equipment and receiver.
- Connect the equipment into an outlet on a circuit different from that to which the receiver is connected.
- Consult the dealer or an experienced radio/TV technician for help.

This device complies with Part 15 of the FCC rules. Operation is subject to the following two conditions:

- This device may not cause harmful interference.
- This device must accept any interference received including interference that may cause undesired operation.

Instructions to Users: This equipment complies with the requirements of FCC (Federal Communication Commission) equipment provided that following conditions are met.

1. Power cable: Shielded power cable must be used.
2. Video inputs: The input signal amplitude must not exceed the specified level.

 Changes or modifications not expressly approved by the party responsible for compliance could void the user's authority to operate the equipment.

CE DOC

DECLARATION OF CONFORMITY

For the following Equipment:

Type of Equipment: Monitor

The model name is as cover page.

Manufacturer's name, address, telephone & fax no.

Name: BenQ Corporation

Address: 16 Jihu Road, Neihu, Taipei 114, Taiwan

TEL: + 886 2 2727 8899.is herewith confirmed to comply with the requirements set out in the Council Directive on the Approximation of the Laws of the Member States relating Electromagnetic compatibility (2004/108/EC) and Low Voltage Directive (2006/95/EC). For the evaluation regarding the electromagnetic compatibility, the following standards were applied:

EN 55022, EN 61000-3-2, EN61000-3-3, EN 60950-1, EN 55024, EN61000-4-2, EN 61000-4-3, EN 61000-4-4, EN 61000-4-5, EN61000-4-6, EN 61000-4-8, EN 61000-4-11

VCCI (CLASS B)

この装置は、クラス B 情報技術装置です。

この装置は、家庭環境で使用することを目的としていますが、この装置がラジオやテレビジョン受信機に近接して使用されると、受信障害を引き起こすことがあります。取扱説明書に従って正しい取り扱いをしてください。

VCCI-B

JIS C 0950

日本工業規格番号 JIS C 0950 (通称: J-Moss) は、包装箱 (外箱)、カタログ類 (取扱説明書、印刷物、ウェブサイトなど) へ表示する方法について規定した、電気・電子機器の日本工業規格です。

対象となる特定の化学物質は、下記となります。

特定の化学物質: 鉛 (Pb)・水銀 (Hg)・カドミウム (Cd)・六価クロム (Cr(VI))・ポリプロモフェニル (PBBs)・ポリプロモジフェニルエーテル (PBDEs) の 6 物質で、当該化学物質の含有状況により、次の 2 種類の表示マークが存在します。



当該化学物質が指定の含有基値を超えている場合の製品に付与するマーク。

含有マーク



当該化学物質が、含有マークの除外事項を除き指定の含有基準値以下である製品に、メーカーが任意で表示することが出来るマーク。

グリーンマーク

- ☞ 弊社環境活動に関する情報をご確認いただく場合は www.BenQ.co.jp/environment をご参照ください。
- 製品情報につきましては www.BenQ.co.jp よりご確認ください。
- 日本工業規格番号 JIS C 0950 (通称: J-MOSS) に関する情報は、JEITA の Web サイト http://210.254.215.73/jeita_eps/jmoss200512.html をご参照下さい。

Japanese Industrial Standards No. JIS C 0950 (J-Moss) is a Japanese industrial standard of electrical and electronic equipment to mark the presence of the specific chemical substances on carton, catalog (user manual, printed materials, website etc.).

The specific chemical substances are listed as below.

The specific chemical substances: lead (Pb), mercury (Hg), cadmium (Cd), hexavalent chromium (Cr(VI)), polybrominated biphenyls (PBBs), and polybrominated diphenyl ethers (PBDEs).

Depending on the amount of the specific chemical substances used, two different kinds of marks are used for distinction:



R Mark

R Mark is used if the amount of the specific chemical substances is over the specified standards.



G Mark

G Mark can be used voluntarily if the amount of the specific chemical substances is under the specified standards (excluding the exceptions as specified by the R Mark standards).



- For more information about BenQ environmental activities, please visit www.BenQ.co.jp/environment.
- For more information about BenQ products, please visit www.BenQ.co.jp.
- For more information about JIS C 0950 (J-Moss), please visit JEITA's website http://210.254.215.73/jeita_eps/jmoss200512.html.

China RoHS



依据中国《电子信息产品污染控制管理办法》，为控制和减少电子信息产品废弃后对环境造成的污染，促进生产和销售低污染电子信息产品，保护环境和人体健康，仅提供有关本产品可能含有有毒及有害物质如后：

部件名称	有毒有害物质或元素					
	铅 (Pb)	汞 (Hg)	镉 (Cd)	六价铬 (Cr(VI))	多溴联苯 (PBB)	多溴二苯醚 (PBDE)
LCD 面板	X	X	O	O	O	O
塑料外框, 后壳	O	O	O	O	O	O
基板组装	X	O	O	O	O	O
电源线	X	O	O	O	O	O
缆线, 线材	X	O	O	O	O	O
金属支架 框架	O	O	O	O	O	O
其他	X	O	O	O	O	O

O: 表示该有毒有害物质在该部件所有均质材料中的含量均在《电子信息产品中有毒有害物质的限量要求标准》(SJ/T11363-2006)规定的限量要求以下。

X: 表示该有毒有害物质至少在该部件的某一均质材料中的含量超出《电子信息产品中有毒有害物质的限量要求标准》(SJ/T11363-2006)规定的限量要求,但其含量超出是因为目前业界还没有成熟的可替代的技术。

有关中国“电子信息产品污染控制管理办法”之相关规定请参考信息产业部所公布之信息。

China Energy Label

为了保护环境并达成节能减排之目的，本公司积极致力于产品节能之设计与制造，依据”能源效率标识管理办法”及”计算机显示器能源效率标识实施规则”，本产品之能效等级符合国家标准 GB21520-2008 之一级标准 (V2210 / V2210 Eco, V2410 / V2410 Eco)。详细有关信息请查阅中国能效标识网 <http://www.energylabel.gov.cn/>。

Energy Star



ENERGY STAR Qualified LCD Monitor

This product complies with the requirements of the USEPA ENERGY STAR program for Computer Monitors, Version 5.0.

WEEE

WEEE directive



Disposal of Waste Electrical and Electronic Equipment by users in private households in the European Union.

This symbol on the product or on the packaging indicates that this can not be disposed of as household waste. You must dispose of your waste equipment by handing it over to the applicable take-back scheme for the recycling of electrical and electronic equipment. For more information about recycling of this equipment, please contact your city office, the shop where you purchased the equipment or your household waste disposal service. The recycling of materials will help to conserve natural resources and ensure that it is recycled in a manner that protects human health and environment.

Directive DEEE



Mise au rebut des Déchets d'Équipement Électrique et Électronique par les propriétaires de résidences privées dans l'Union Européenne.

Ce symbole sur le produit ou sur son emballage indique qu'il ne doit pas être jeté avec vos ordures ménagères. Il est de votre responsabilité d'en disposer en l'amenant à un endroit désigné de collecte pour le recyclage de tous vos déchets d'équipements électrique et électronique. Pour de plus amples renseignements au sujet du recyclage de cet équipement veuillez contacter le bureau local de votre ville, votre service de ramassage des ordures ménagères ou le magasin où vous avez acheté le produit. Le recyclage des matières aidera à conserver les ressources naturelles et à s'assurer que ce sera recyclé d'une façon que cela protège la santé humaine et l'environnement.

WEEE-Richtlinie



Richtlinie zur Entsorgung von Elektro- und Elektronik-Altgeräten durch Benutzer in Privathaushalten innerhalb der Europäischen Union.

Das Symbol auf der Produktverpackung zeigt an, dass dieses Gerät nicht mit dem normalen Hausmüll entsorgt werden darf. Sie müssen Ihr Altgerät bei der zuständigen Rücknahmestelle für Elektro- und Elektronikmüll abgeben. Weitere Informationen über das Recycling dieses Geräts erhalten Sie von Ihren örtlichen Behörden, Ihrem Fachhändler oder der lokalen Rücknahmestelle. Fachgerechtes Wertstoffrecycling spart nicht nur wertvolle Ressourcen, sondern schützt auch Umwelt und Gesundheit.

Direttiva WEEE

Smaltimento di apparecchi elettrici ed elettronici nell'Unione Europea da parte di utenti privati.



Questo simbolo sul prodotto o sulla confezione indica che esso non può essere smaltito come rifiuto domestico. È necessario smaltirlo restituendolo secondo lo schema di raccolta per il riciclaggio degli apparecchi elettrici ed elettronici. Per ulteriori informazioni sul riciclaggio di questo apparecchio, contattare l'ente della propria città, il negozio dove è stato acquistato l'apparecchio o il proprio servizio di smaltimento rifiuti domestici. Il riciclaggio dei materiali aiuterà a conservare le risorse naturali ed assicurare che il prodotto sia riciclato in un modo che protegga la salute umana e l'ambiente.

Directiva WEEE

Residuos de aparatos eléctricos y electrónicos por parte de los usuarios en hogares de la Unión Europea.



Este símbolo en el producto o en el paquete indica que no puede desecharse como si se tratara de un residuo doméstico. Debe desechar su equipamiento residual entregándolo al organismo de recogida para el reciclado de equipamiento eléctrico y electrónico. Para obtener más información acerca del reciclado de este equipo, póngase en contacto con la oficina local, la tienda donde compró el equipo o su servicio de desecho de residuos doméstico. El reciclado de los materiales ayuda a conservar los recursos naturales y asegurar que se recicla de forma que proteja la salud humana y el medio ambiente.

Directiva REEE

Eliminação de resíduos de equipamentos eléctricos e electrónicos por utilizadores domésticos na União Europeia.



Este símbolo no produto ou na embalagem indica que não pode ser eliminado como lixo doméstico. Deve eliminar os equipamentos eléctricos velhos entregando-os ao abrigo do esquema de recolhas aplicável para a reciclagem de equipamento eléctrico e electrónico. Para mais informações sobre a reciclagem deste produto, contacte as autoridades locais, a loja onde adquiriu o equipamento, ou o prestador de serviços de recolha de lixo doméstico. A reciclagem de materiais contribuirá para a conservação dos recursos naturais e assegura que são reciclados de forma a proteger a saúde humana e o ambiente.

WEEE directive



Verwijdering van afval van elektrische en elektronische apparaten door gebruikers in privé-huishoudens in de Europese Unie.

Dit symbool op het product of op de verpakking geeft aan dat het niet als huishoudelijk afval mag worden verwijderd. U dient uw versleten apparatuur af te geven volgens het toepasselijke terugnameschema voor de recyclage van elektrische en elektronische apparaten. Voor meer informatie over de recyclage van dit apparaat, kunt u contact opnemen met uw lokaal stadsbestuur, de winkel waar u het apparaat hebt gekocht of het vuilnisverwerkingsbedrijf. Dankzij de recyclage van materialen worden de natuurlijke bronnen bewaard en wordt het apparaat gerecycleerd op een manier die de menselijke gezondheid en het milieu beschermt.

Směrnice WEEE



Likvidace vyřazených elektrických a elektronických zařízení v domácnostech uživatelů v Evropské unii.

Tento symbol na výrobku nebo na jeho obalu indikuje, že dané zařízení není dovoleno vyhodit do běžného domovního odpadu. Vyřazené elektrické nebo elektronické zařízení je nutno zlikvidovat odevzdáním k recyklaci v souladu s platným plánem recyklace elektronických zařízení. Další informace o recyklaci tohoto zařízení získáte u místních úřadů, v obchodě, kde jste výrobek zakoupili nebo u společnosti, která se zabývá likvidací domovního odpadu. Recyklace materiálů pomáhá chránit přírodní zdroje a zaručuje likvidaci výrobku způsobem, který je šetrný k lidskému zdraví i životnímu prostředí.

Dyrektywa WEEE



Utylizacja odpadów z urządzeń elektrycznych i elektronicznych przez użytkowników prywatnych w Unii Europejskiej.

Ten symbol na urządzeniu lub opakowaniu oznacza, że nie może być ono utylizowane razem z odpadami domowymi. Zbędny sprzęt należy przekazać do odpowiedniego punktu zwrotu sprzętu elektrycznego i elektronicznego w celu wtórnego przetworzenia. Szczegółowe informacje dotyczące wtórnego przetwarzania tych urządzeń można uzyskać, kontaktując się z lokalną administracją, sprzedawcą lub lokalnym przedsiębiorstwem oczyszczania. Recykling materiałów pomaga w zachowaniu zasobów naturalnych i gwarantuje ich przetwarzanie zgodnie z wymogami ochrony ludzkiego zdrowia i środowiska.

WEEE irányelv



Az Európai Unióban a magánháztartások elektromos és elektronikus hulladékainak kezeléséről szóló irányelv.

A terméken vagy a csomagoláson ez a szimbólum azt jelzi, hogy a termék nem tehető a háztartási hulladékok közé. A készüléket az elektronikus és elektromos hulladékokra vonatkozó visszavételi rendszerben kell visszajuttatni. A készülék begyűjtéséről bővebb információt kaphat a helyi önkormányzatnál, a vásárlás helyén vagy a háztartási hulladékot elszállító szolgáltatójánál. Az anyagok begyűjtése hozzájárul a természeti erőforrások megőrzéséhez és biztosítja, hogy a hulladékok gyűjtése az emberi egészséget és a környezetet védő módon történjék.

Директива WEEE



Утилизация электрических и электронных отходов частными лицами на территории Европейского Союза.

Данный символ на изделии или на упаковке означает, что данное изделие запрещается утилизировать наравне с бытовыми отходами. Необходимо утилизировать его, передав его в соответствующие центры по переработке электрических и электронных отходов. Для получения дополнительных сведений о переработке отходов данного оборудования обратитесь в ближайший сервисный центр, в магазин, где вы приобрели оборудование, или в центр по переработке бытовых отходов. Переработка материалов поможет сохранить природные ресурсы и обеспечит безопасность для здоровья людей и окружающей среды.

Directiva WEEE



Evacuarea deșeurilor echipamentelor electrice și electronice pe către utilizatorii casnici din Uniunea Europeană.

Acest simbol de pe produs sau de pe ambalaj indică că acest produs nu poate fi evacuat ca deșeu casnic. Trebuie să evacuați deșeurile de echipament prin predarea conform schemei de preluare pentru reciclare a componentelor electrice și electronice. Pentru mai multe informații cu privire la reciclarea acestui echipament, vă rugăm să contactați Primăria, magazinul de unde ați achiziționat echipamentul sau serviciul de procesare a deșeurilor menajere. Reciclarea acestor materiale va ajuta la păstrarea resurselor naturale și asigură că sunt reciclate într-o modalitate care protejează viața și mediul oamenilor.

WEEE 지시문



전자 및 전기 제품 폐기 (EU 가정 사용자).

제품과 포장재에 이 기호가 부착되어 있으면 가정에서 발생하는 일반 쓰레기와 함께 처분할 수 없습니다. 폐품을 지정된 전기 및 전자 기기 재활용품 수거장에 전달하는 것은 사용자가 직접 해야 합니다. 재활용품 수거장에 대한 자세한 내용은 현지 관할 구청이나 가정용 쓰레기 처리장 또는 해당 제품 판매업체에 문의하십시오. 폐품을 재활용하면 천연 자원뿐만 아니라 인체 건강 및 환경을 보호하는 데 큰 도움이 됩니다.

WEEE 指令



ヨーロッパ共同体における家庭からの電子および電気製品の廃棄について。

本製品または梱包材料に記載されているこの記号は、これを家庭廃棄物として破棄することができないことを意味しています。電子または電気装置の再利用規定に基づいて処理してください。本装置の再利用についての詳しい情報は、お住まい地域の市役所、本製品を購入された店、または家庭廃棄物処理機関にお問い合わせください。素材の再利用は自然環境の保護に役立つと共に、人類の健康や環境を確実に保護する方法で再利用されます。

WEEE 条例



欧盟国家私人家庭用户对废弃电气和电子设备的处理。

在产品或其包装上的此图案，说明勿将该产品视为一般家用废弃物处理。该产品于报废时，请将该电机电子设备回收至当地的回收机构，以确保正确处理该产品。要了解更多有关回收本设备的信息，请联系当地有关机构、购买本产品的商店或家用废弃物处理中心。物质的回收将有利于保护自然资源，并确保其回收方式不会对环保以及人体健康造成负面影响。

WEEE 指示



歐盟國家中的私人家庭使用者對於電子及電氣產品的廢棄處置辦法。

產品或包裝上的這個圖示代表此產品不能當做一般家庭廢棄物處理。您必須將要丟棄的電氣與電子產品交付予專門回收相關產品的機構。如需回收此物品的資訊，請聯絡您居住城市的相關單位，例如您購買此產品的地方或是處理家庭廢棄物的單位。回收可以保護自然資源並確保其回收方式不會危害到人體的健康與環境。

Smernica WEEE



Nakladanie s elektrickými a elektronickými zariadeniami určenými na likvidáciu používateľmi v domácnostiach v rámci Európskej únie

Tento symbol na výrobku, jeho príslušenstve alebo na jeho obale znamená, že tento výrobok nesmie byť likvidovaný spolu s domovým odpadom. Pri likvidácii elektrických a elektronických zariadení je potrebné odniesť ich na určené zberné miesto na recyklovanie. Ďalšie informácie o recyklovaní tohto zariadenia vám poskytne buď miestny úrad alebo obchod, v ktorom ste zariadenie zakúpili, prípadne služba likvidácie domového odpadu. Recyklovanie materiálov pomáha šetriť prírodné zdroje a zabezpečuje, že sú zariadenia recyklované spôsobom, ktorý chráni zdravie ľudí a životné prostredie.

Direktiva OEEQ



Odlaganje odpadne električne in elektronske opreme za uporabnike v zasebnih gospodinjstvih v Evropski uniji.

Ta oznaka na izdelku in njegovi embalaži pomeni, da izdelka ni dovoljeno odlagati med ostale gospodinjske odpadke. Svojo odpadno opremo morate izročiti pristojnim v veljavnem programu recikliranja električne in elektronske opreme. Za več informacij o recikliranju te opreme kontaktirajte lokalni urad, trgovino, kjer ste opremo kupili, ali smetarsko službo, pristojno za vaše gospodinjstvo. Recikliranje materialov pripomore k ohranjanju naravnih virov in zagotavlja, da se reciklirajo na način, ki varuje zdravje ljudi in okolje.

WEEE-direktiv

Bortskaffelse af affald af elektrisk og elektronisk udstyr i husholdninger i Den Europæiske Union.



Symbolet på produktet eller på emballagen angiver, at det ikke kan bortskaffes som affald fra husholdningen. Du skal bortskaffe udstyr ved at give det til indsamlingssteder, der kan genbruge elektrisk og elektronisk udstyr. For yderligere oplysninger om genbrug af dette udstyr, kontakt de lokale myndigheder, købsstedet eller renovationselskabet. Genbrug af materialer hjælper med at konservere naturlige ressourcer, der genbruges på en måde, der beskytter sundhed og miljø.

WEEE-direktiivi

Sähkö- ja elektroniikkalaitteiden hävittäminen kotitalouksissa Euroopan unionin alueella.



Jos tuotteessa tai sen pakkauksessa on tämä merkki, tuotetta ei saa hävittää kotitalousjätteiden mukana. Sinun täytyy hävittää loppuunkäytetty laitteesi käsittelemällä se sopivalla palautusmenettelyllä sähkö- ja elektroniikkalaitteen kierrätystä varten. Tämän laitteen kierrätyksen lisätietoja varten ota yhteys kaupunkisi virastoon, liikkeeseen mistä ostit laitteen, tai talousjätteesi jätekäsittelypalveluun. Materiaalien kierrätys auttaa säilyttämään luonnonvaroja ja varmistamaan, että laite on kierrätetty tavalla, joka suojaa ihmisten terveyttä ja ympäristöä.

WEEE-direktiv

Avhending av elektrisk og elektronisk utstyr for brukere i private husholdninger i EU.



Dette symbolet på produktet eller emballasjen betyr at produktet ikke må kastes sammen med vanlig husholdningsavfall. Når du kasserer utstyret, må det leveres ved et forskriftsmessig returpunkt for resirkulering av elektrisk og elektronisk utstyr. Hvis du vil ha mer informasjon om resirkulering av dette utstyret, vennligst kontakt kommunale myndigheter, butikken der du kjøpte utstyret eller de lokale renovasjonstjenestene. Resirkuleringen av materialet vil bidra til å bevare naturlige ressurser og sikre at det blir resirkulert på en måte som beskytter menneskelig helse og miljø.

Användares avfall från elektrisk och elektronisk utrustning (WEEE) inom privata hushåll i den Europeiska unionen.



Den här symbolen på produkten eller på förpackningen visar på att det här inte kan sorteras som hushållsavfall. Du måste göra dig av med utrustningen genom att lämna den vidare till den tillämpade återtagningsplanen för återvinning av elektrisk och elektronisk utrustning. För att få mer information om återvinning av den här produkten kan du kontakta kommunkontoret, affären där du inhandlade utrustningen eller de som ansvarar för sophanteringstjänsten för privata hushåll. Återvinning av material hjälper till att bevara våra naturtillgångar och försäkrar att återvinningen sköts på ett sådant sätt som skyddar människors hälsa och miljö.

توجيه WEEE (مخلفات المعدات الكهربائية والإلكترونية)



التخلص من مخلفات المعدات الكهربائية والإلكترونية من قبل المستخدمين في المنازل بدول الاتحاد الأوروبي.

يُشير هذا الرمز الموجود على المنتج أو على العبوة إلى الحرص على عدم التخلص من المنتج مع باقي المخلفات المنزلية الأخرى؛ بل يجب التخلص منها بتسليمها إلى نظام الاسترجاع المطبق والخاص بإعادة تدوير المعدات الكهربائية والإلكترونية. ولمزيد من المعلومات حول إعادة تصنيع هذه المعدات، يُرجى الاتصال بالمكتب المعني بمدينتك أو المتجر الذي اشتريت المعدات منه أو خدمة التخلص من المخلفات المنزلية، علماً بأن عملية إعادة تدوير المواد تساعد في الحفاظ على الموارد الطبيعية، كما أنها تضمن إعادة تدويرها على نحو يساعد على توفير الحماية لصحة الإنسان والبيئة.